



"Dear Patron"

This is our 54th year of contribution towards International Sports Community in 60+ countries. Today, we have emerged as a pioneer exporter of quality Sports Equipment around the globe. We are enjoying a coveted place amongst its counter parts by providing quality products to its valuable customers. We produce innovative products to suit diverse market sectors with extensive customization techniques and constant technology up gradations. Complete manufacturing infrastructure is available under one roof i.e. Metal Castings, Fabrication, Galvanization & Powder coating, Plastic and PVC Moulding, Precision Machining, Screen / Pad printing and Sewing work to handle/meet buyer's specific requirements.

To serve our vision, we are on a mission to supply the best quality products to our clients within the shortest possible time. With our state-of-art-manufacturing facility, we are successful in producing an unrivaled range of products that are setting high standards in the sports good industry. On this, we represent to you most demanded products of all time with the segments we have in place & hope you will find a lot of interesting products featured herein.

GISCO®

AGILITY TRAINING



SOCCER TRAINING



TRAINING VEST/BIBS



COACHING RESOURCES



GOALS



REBOUNDER



TCHOUKBALL



CART, TROLLEY & BAGS



FITNESS



7-42

SPEED RING, HURDLES, MULTI TRAINER, POLES & CONNECTOR, SPEED LADDER, SPEED HOOPS, SLALOM POLES, BASES, MARKER, CONE, SEQUENCE SPOTS, POP-UP GOAL, KITS



43-70

MANNEQUIN, BASE, PASSING ARC, CORNER POSTS, ARM BANDS, WRIST & HEAD BANDS, LINESMAN FLAG, BALLS, PITCH MARKERS, GROUND PEGS, CLIP, INFLATING NEEDLES, INFLATORS, BASIC CART NET, WATER BOTTLE, CARRIER, CROWN BARRIERS, SCORE BOARD, LINE MARKER



71-84

FINE MESH, BRIGHT MESH, MICRO MESH, STRIP MESH, SMOCKS, NYLON BIBS, NETBALL BIBS, REFLECTIVE VEST



85-97

REFEREE SET, MAGNETIC BOARD, COACH BOARD, WHISTLES



98-104

GOAL FOLDSAWAY 900, UPVC, GOAL POST, FOLDABLE GOAL, PORTABLE GOAL POST



105-108

MULTI REBOUNDER, DUAL SPEED REBOUNDER, FREESTYLE CATCHER, REBOUNDER BASIC, SOCCER WALL



109-110

TCHOUKBALL, FITB APPROVED/DELUXE



111-124

CARTS, WHEEL BAGS, BALL SACK, MESH BAGS, BALL STORAGE TROLLEY, JUMBO EQUIPMENT BAG, SHOE BAG



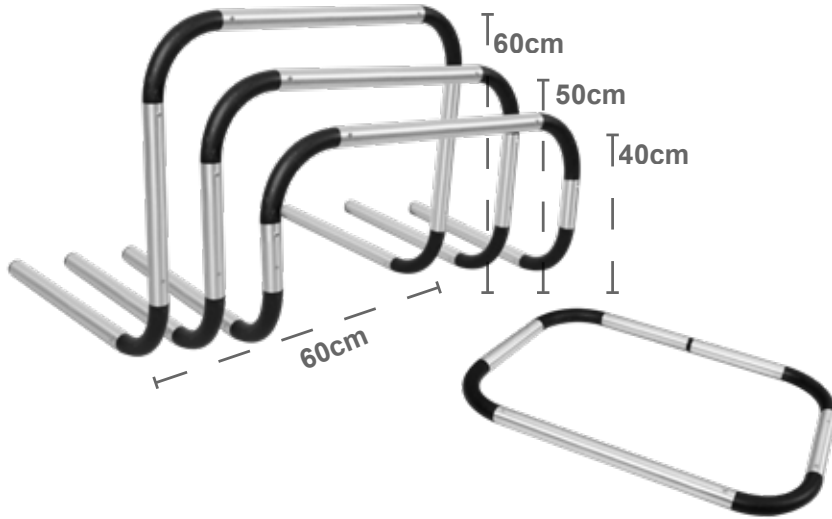
125-145

MEDICINE BALL, KETTLE BELLS, DUMBBELL, PLATES, ROLLERS BARS, STEPPER, ROPES, RESISTANCE BANDS, SPEED SLEDS, MATS, BALANCE BOARDS, MASSAGE BALL, ANKLE WEIGHT, LIFTING BELTS, BOXS, BAGS

BOUNCE BACK ALUMINIUM HURDLE - MINI

Aluminium training hurdle for quick knee lift and stepping. Returns back to its position when knocked down. Eliminates time-breaks while doing drills. Width : 60 cm

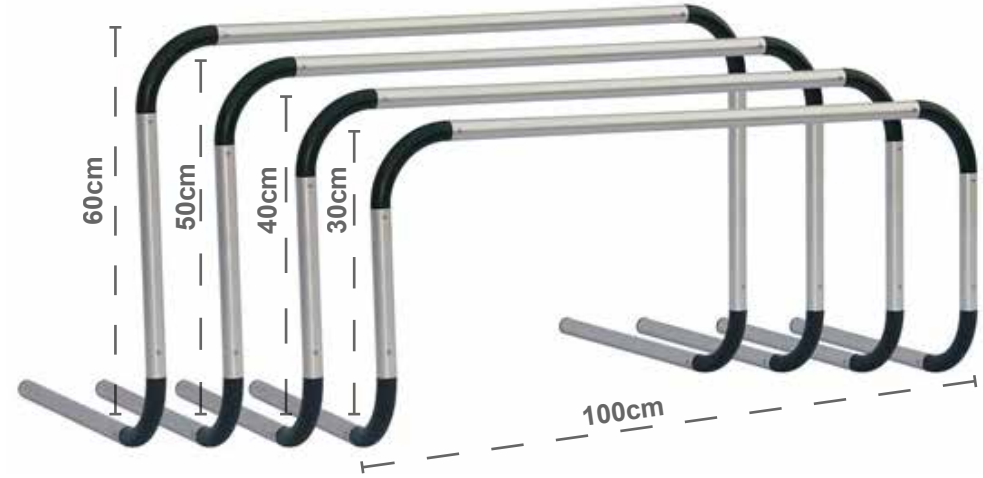
- 54001 40cm
- 54002 50cm
- 54003 60cm
- 54004 Set of 3 (1 of each of 40, 50 & 60cm)



BOUNCE BACK ALUMINIUM HURDLE - MAXI

Aluminium training hurdle for quick knee lift and stepping. Returns back to its position when knocked down. Eliminates time-breaks while doing drills. Width : 100 cm

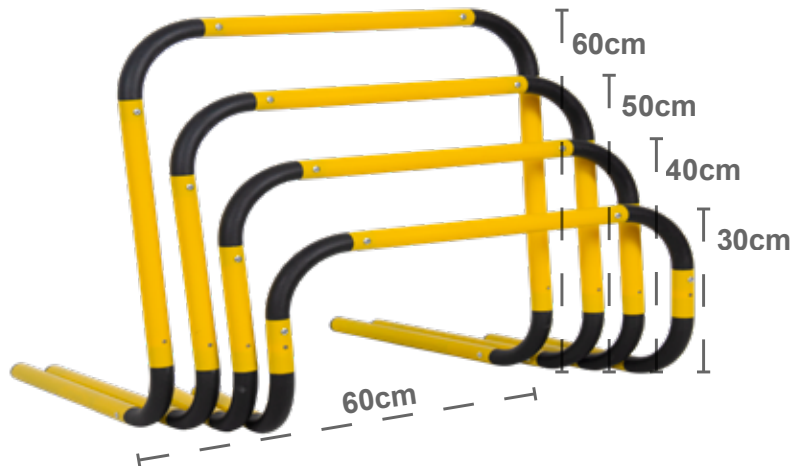
- 54006 40cm
- 54007 50cm
- 54008 60cm
- 54009 Set of 3 (1 of each of 30, 40,50 & 60cm)



BOUNCE BACK PLASTIC HURDLE - MINI

Plastic training hurdle for quick knee lift and stepping. Returns back to its position when knocked down. Eliminates time-breaks while doing drills. Width : 60 cm

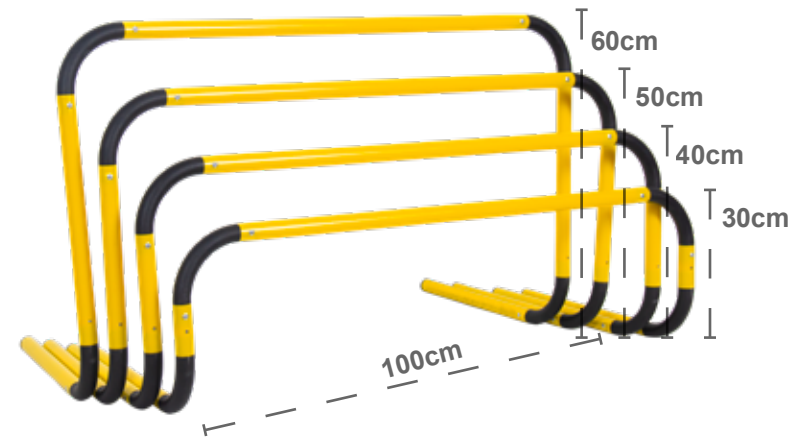
- 54010 30cm
- 54011 40cm
- 54012 50cm
- 54013 60cm
- 54014 Set of 4 (1 of each of 30, 40,50 & 60cm)



BOUNCE BACK PLASTIC HURDLE - MAXI

Plastic training hurdle for quick knee lift and stepping. Returns back to its position when knocked down. Eliminates time-breaks while doing drills. Width : 100 cm

- 54016 30cm
- 54017 40cm
- 54018 50cm
- 54019 60cm
- 54020 Set of 4 (1 of each of 30, 40,50 & 60cm)

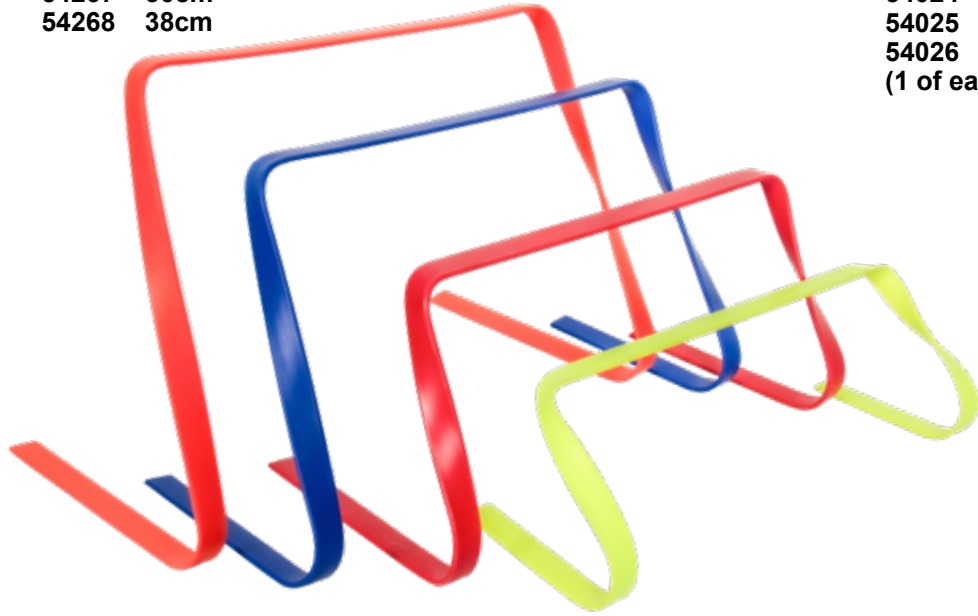


AGILITY HURDLE – FLAT

BEST
SELLER

Light weight flat heavy duty plastic tubing construction. Effective training aid for quick knee lift and stepping.

- 54265 15cm
- 54266 23cm
- 54267 30cm
- 54268 38cm

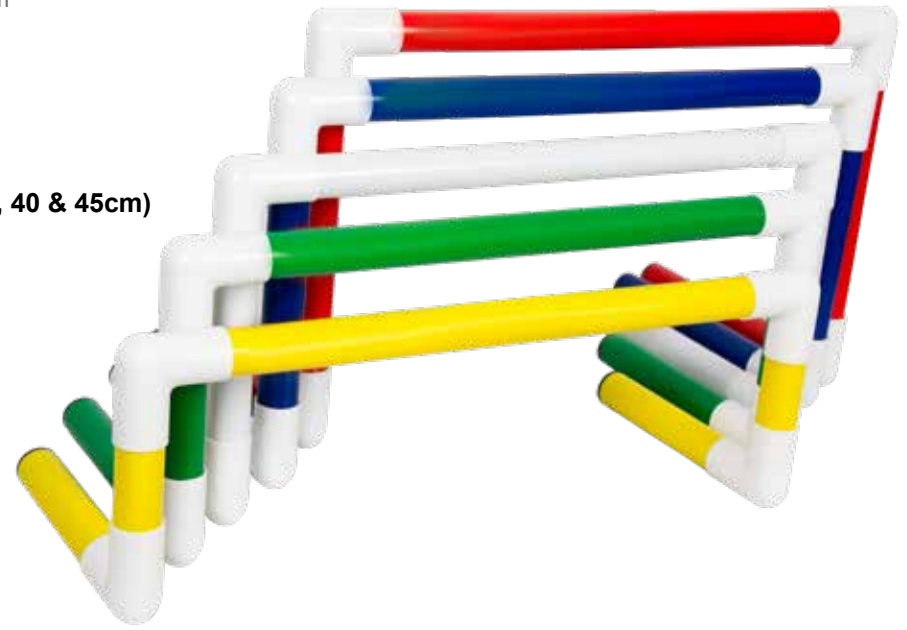


Extra Flexibility

AGILITY TRAINING HURDLE FOLDING - NEU

Agility training hurdle made of 40 mm plastic tube for stepping, quick knee lift and various agility drills. Width : 70cm

- 54021 25CM
- 54022 30CM
- 54023 35CM
- 54024 40CM
- 54025 45CM
- 54026 Set of 5
(1 of each 25, 30, 35, 40 & 45cm)



AGILITY HURDLE - PORTABLE

A perfect folding hurdle is made of 25mm tube. Parts can be detached and stored with ease.

- 54271 15cm
- 54272 23cm
- 54273 30cm
- 54274 38cm
- 54275 45cm



MANNEQUIN BASIC

Made of tubular steel frame with plastic chest and four legs.

54998 180cm

54999 160cm

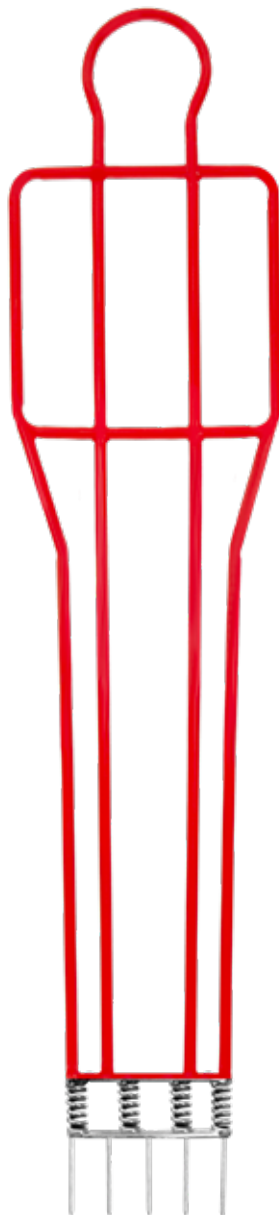


MANNEQUIN PRO - SPRING BACK

Spring Back Mannequin for Training. Made of Tubular steel with four legs & four steel pegs for ground housing. Great to practice more kicks in less time.

54972 180 cm

54973 160 cm

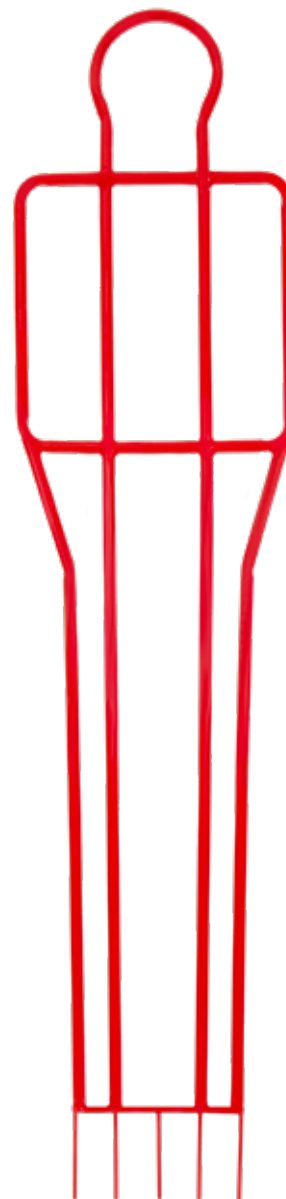


MANNEQUIN PRO

Mannequin for Penalty Training. Made of Tubular steel with four legs & four steel pegs for ground housing.

54970 180 cm

54971 160 cm



MANNEQUIN NEU

Mannequin for Penalty Training. Made of Tubular steel with two legs & four steel pegs for ground housing. With customise logo.

54974 180 cm

54975 160 cm

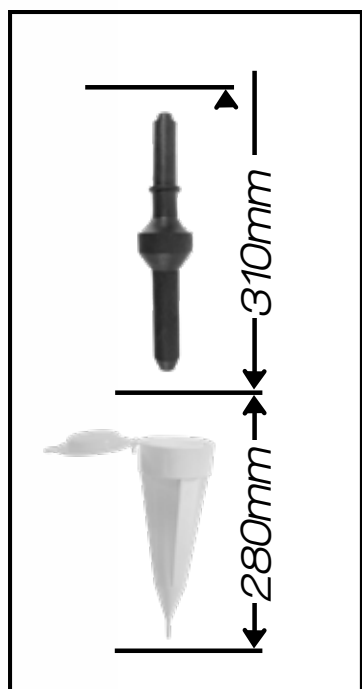


CORNER POST - TOURNAMENT

32mm white flexible post with perfect rubber joint connector.

Includes: Flag, PVC post, Flexible rubber connector, plastic socket and cap.

66017 1.50m high Set of 4



CORNER POST - SPRING BACK

25mm PVC post with heavy duty spring bottom.

66016 1.50m high 45 x 35cm



CORNER POSTS - FLEXIBLE

1.50 m high white PVC flexible boundary post with steel tube base.

66013 - 20 20mm 50 x 30cm Red flag



CORNER POSTS - REGULAR

25mm PVC post 5ft with a steel peg base.

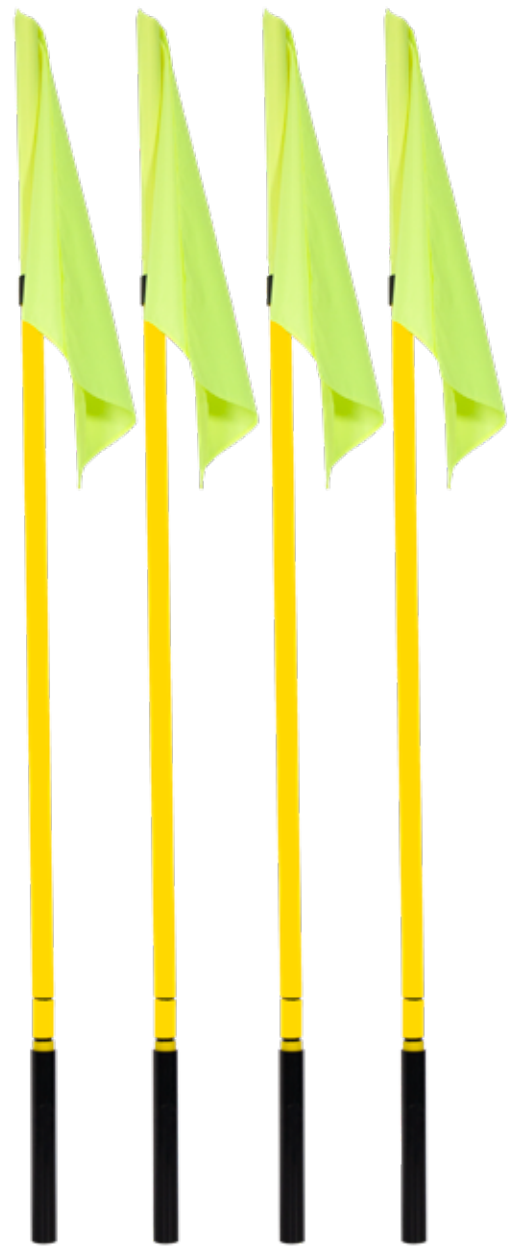
66011 1.50m high 50 x 30cm Red flag





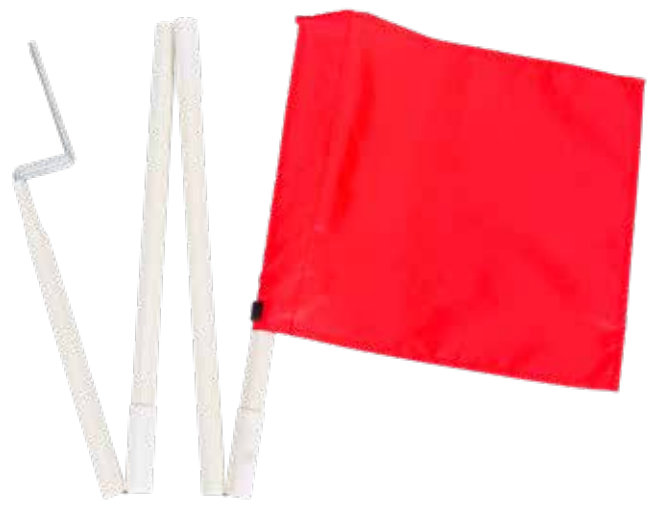
CORNER POST – EUROPA **NEW**

30mm flexible post with flag & ground housing.
66026 Spiring mechanism set of 4



CORNER POST - COLLAPSIBLE **BEST SELLER**

Bright color flags (50X30cm) in 25mm PVC pipe with collapsible four folds attached with Z steel peg for easy ground insertion.
Set of 4 in a bag.
66028 25mm Pole
66029 20mm Pole



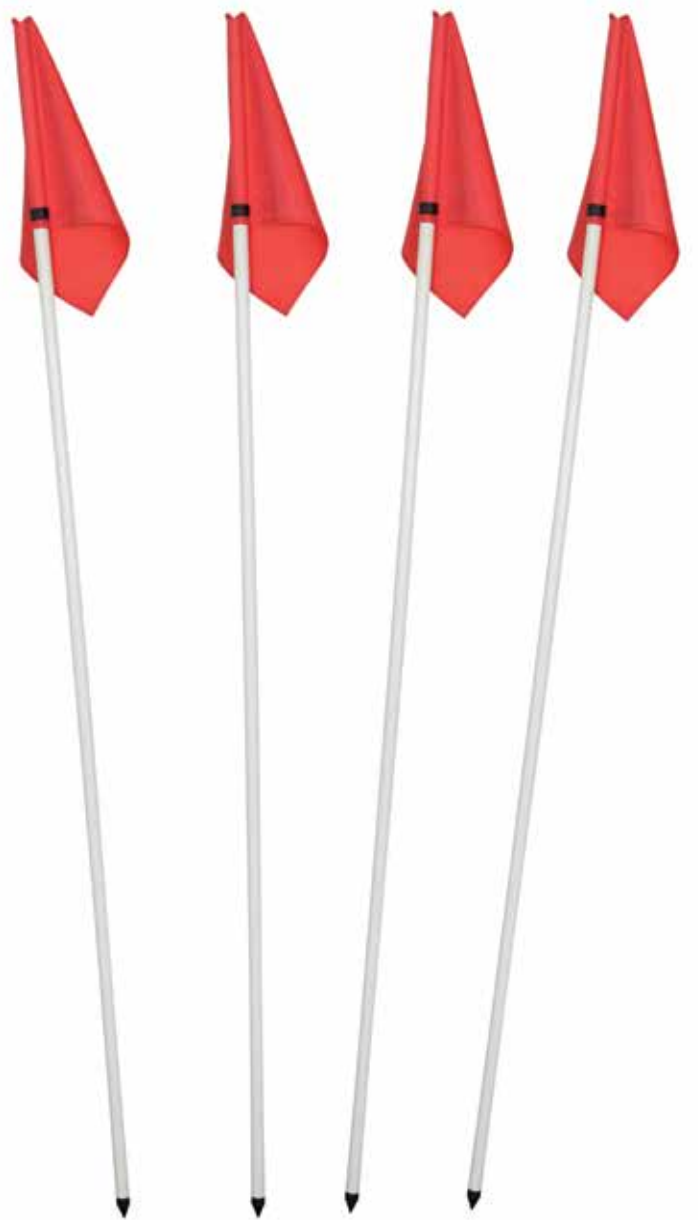
CORNER FLAGS

Heavy duty Nylon flags.
Available in Red, Green, Blue, Yellow, White, Orange, Purple, Sky Blue.
66061 380 x 300cm
66062 450 x 350cm



CORNER POST - BASIC

White flexible plastic post 25mm dia including red flag with connector.
66020 1.82m (6ft) Set of 4
66021 1.82m (6ft) Set of 8 in a nylon bag.





GROUND PITCH MARKER

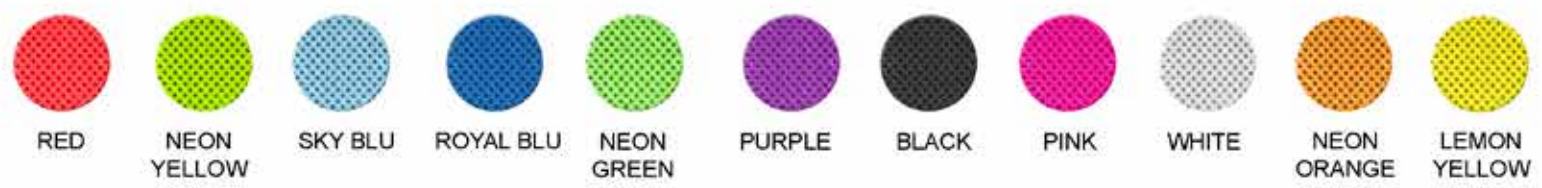
Ground Pitch Markers – Pack of 25 with Driving Tool.
Safe & permanent ground marking system. Feels like grass tufts
Most Convenient Solution for setting lines and boundaries.
Height – 19.5 cm & Width – 3.5 cm
Available Colors : White, Red, Yellow, Orange, Blue, Pink
60280



Customised length also possible



TRAINING VEST - FINE MESH



REVERSIBLE	SINGLE	SIZE		
53411	53211	Mens	L 62cm	H 73cm
53412	53212	Youth	L 55cm	H 68cm
53413	53213	Boys	L 50cm	H 63cm

- FEATURES:**
- 100% Fine mesh polyester.
 - Black binding/Self Binding
 - 80gsm.
 - Customize with logo print.
 - Azo Free dyes.



CLUB GOAL POST

These football goal posts for the garden are an ideal choice for youngsters – providing an excellent introduction to the world's favourite sport. Includes net, clips and ground anchors. Comes in a carry bag.

PG-112	12ft x 6ft	(365 x 182cm)
PG-108	8ft x 4ft	(244 x 120cm)
PG-106	8ft x 6ft	(244 x 182cm)
PG-105	5ft x 4ft	(155 x 120cm)



Light Weight



Essential lock



Weather Proof



Robust Design

Features

- A precise locking system throughout the goal adds strength to the frame.
- Constructed using high impact shatterproof uPVC material with UV Protection.
- 2mm Heavy-duty net, with 100mm x 100mm squares.
- Supplied with quick clips. These clips are very efficient when securing the net on or off, even in cold climates.
- Quick and easy to assemble in a matter of minutes, securely connecting with the greatest of ease
- This goal will not move; once anchored down, the sturdy metal ground anchors will keep the goal rigid even with the strongest of shots.

UPVC

GOALS



GOAL POST - BASIC

Goal post made of 40mm heavy duty plastic tube with elbows.
Robust & easy to assemble. Set includes net, anchors & net clips in a bag.
PG-58 **5ft x 4ft x 2.5ft** **(165 x 120 x 75cm)**



GOAL POST - STREET

Street Goal post made of 40mm heavy duty plastic tube with elbows.
Robust & easy to assemble. Set includes net, anchors & net clips in a bag.
PG-61 **Size: 6.5ft x 4ft (200 x 120cm)**





Quick Release Fasteing



Swivel connector



Bottom Connector

SOCCER GOAL FOLDSAWAY 500 **NEW**

GISCO Aluminium Folding Goal having caught the eye of professional coaches Innovative soccer training goal can also be used to provide the premium levels of quality to clubs of all standards. With a speedy assembly process and folding side frames.

- Allows it to be used at home, sports centres and even by schools are lightweight and portable.
- High-strength 50mm OD aluminium in a black powder coating
- Premium quality micro mesh goal net in florescent orange to enhanced visibility during the winter and night-time
- No tools required for the quick and easy 12 second assembly and folding away process
- Net comes with hook and loops fasteing for secure attachment

SIZE (LENGTH X WIDTH)

- SGA-120 4ft x 2.5ft (120 x 70cm)
- SGA-155 5ft x 3ft (155 x 95cm)
- SGA-183 6ft x 4ft (183 x 120cm)

OPTIONAL CARRY BAG FOR 5FT X 3FT GOAL

- Folded Size - 40" x 30" x 4" (100cm x 75cm x 10cm)
- Goal Weight - (8.6kg)
- Size - 41in x 30in (105cm x 78cm)
- Handles on both sides
- Quick release fastening straps



Scan QR
For More
Inspiration

DUAL SPEED REBOUNDER **NEW**

- 85cm x 85cm strike zone
- Develop Football Skills – double sided rebound net with 2 return speeds.
- Fully Adjustable to create 6 different football skill.
- Ultra Sturdy – Premium grade. Lightweight & portable enough to quickly fold flat.
- Weight – 9kgs

TX-350



REBOUNDER

MULTISPORTS

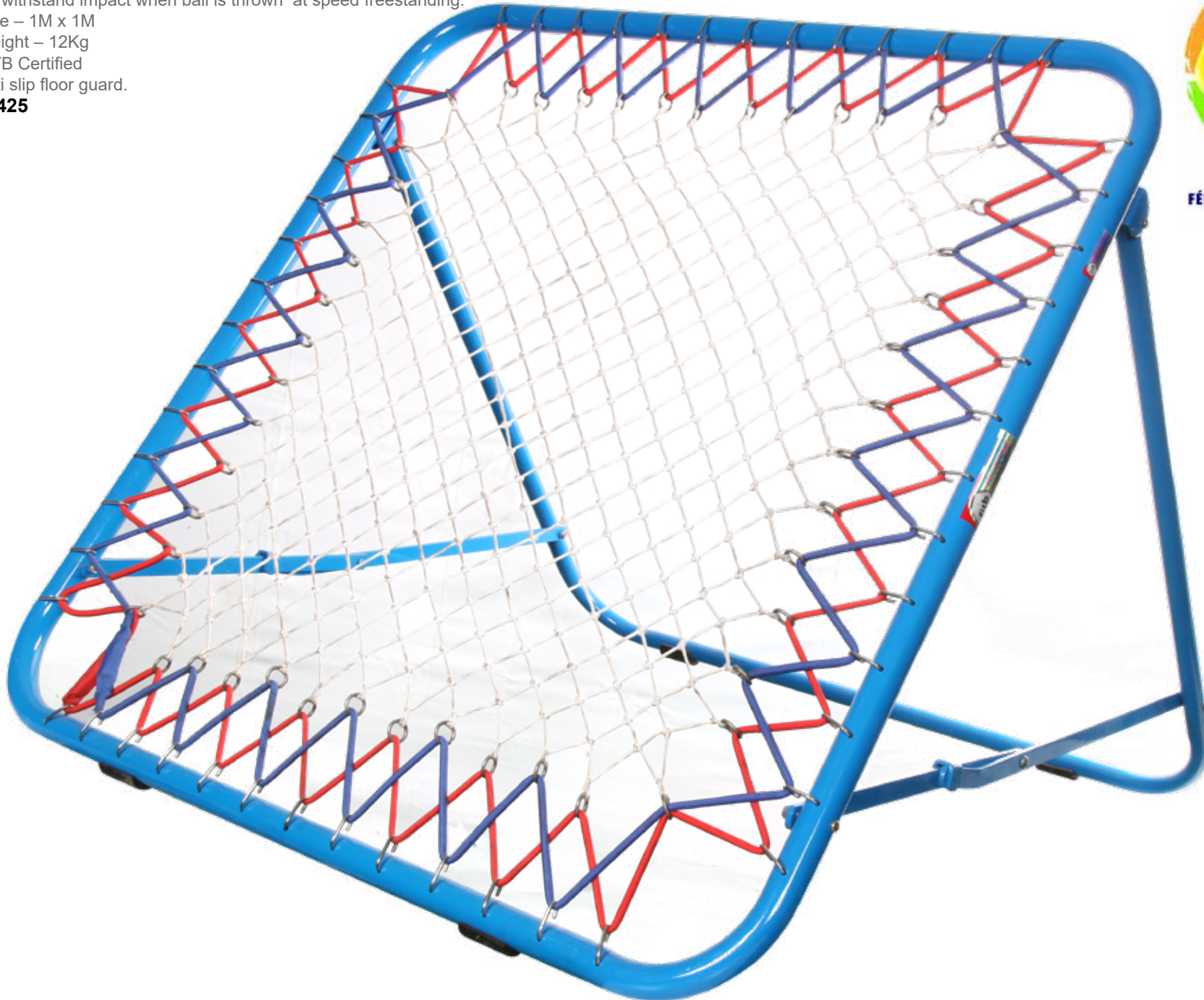
TCHOUKBALL – FITB APPROVED

Made of steel frame fitted with highly strung net.

Can withstand impact when ball is thrown at speed freestanding.

- Size – 1M x 1M
- Weight – 12Kg
- FITB Certified
- Anti slip floor guard.

TX-425



FÉDÉRATION INTERNATIONALE
DE TCHOUKBALL



TCHOUK BALL

BALL CART-PREMIUM

NEW

The perfect storage and transport for balls consists of a steel frame holding a bag made of tear-resistant nylon accommodate approx. 20 size-5 balls.

It can be easily collapsed for compact storage and features protective caps to prevent fingers from getting trapped. Detachable Bag to carry the balls in Bag 45962 65 x 65 x 88cm Spring Locking System



BALL CART

BEST SELLER

Lightweight aluminium frame with four wheels for easy transport.

Made of heavy duty durable mesh fabric.

Convenient storage and transport.

Ideal and easy way to carry balls on and off the field.

45956 610 x 610 x 865mm **Mesh Fabric**

45957 610 x 610 x 865mm **Cloth Fabric**

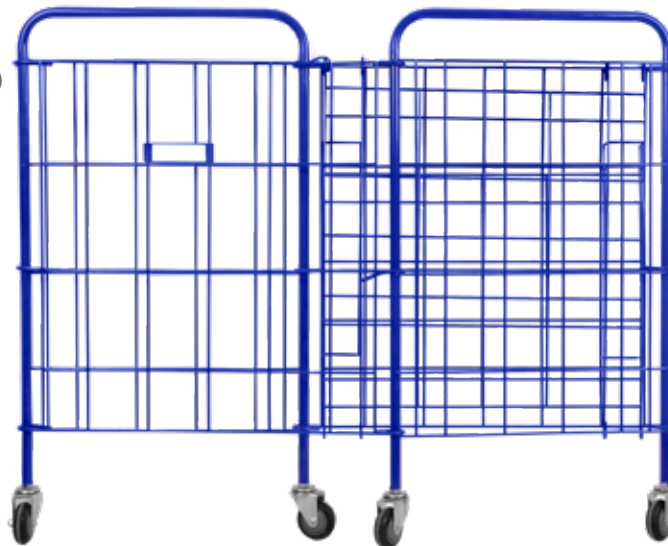


STACKABLE BALL STORAGE TROLLEY

Compact design, offers plenty of space to carry sports equipment's.

- Material: steelwire
- Load capacity: approx. 40kg
- Storage capacity: 245 litres (approx. 30 size 5 balls, ø approx. 21cm)
- Colour: blue
- Hinged lid, can be secured with a padlock.
- 4 smooth-rolling swivel castors
- Can easily be unfolded and assembled by the user.
- Very good mobility and robust

45600 95 x 70 x 55cm



BALL STORAGE MESH BAG-STAND

Made of Heavy duty mesh cloth. Easy to store & hold balls in the bag. Large size stores up to 22 balls & when partially collapsed it can hold up to 9 balls & Junior size stores upto 15 balls & when partially collapsed it can hold up to 7 balls.

45038 Size: 60 cm (Dia.) x 90 cm H

45038J Size: 45 cm (Dia.) x 90 cm H



BALL STORAGE MESH BAG-STAND

Made of Heavy duty mesh cloth. Easy to store & hold balls in the bag. Large size stores up to 22 balls & when partially collapsed it can hold up to 9 balls & Junior size stores upto 15 balls & when partially collapsed it can hold up to 7 balls. Comes with stands on sides for easy accessibility and can be taken out to store flat when not in use.

45039J Size: 60 cm (Dia.) x 90 cm H

45039S Size: 45 cm (Dia.) x 90 cm H



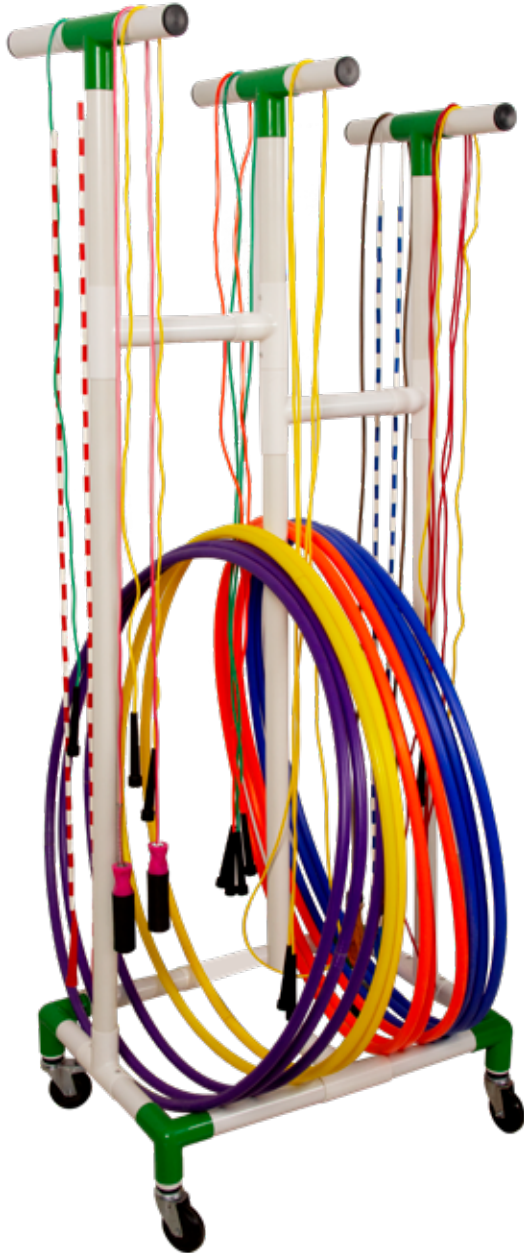
ROPE AND HOOP STAND

Cart made of plastic poles with jointer. Idle for storing or transporting about 130 ropes & hoops. Unique design having 3 Poles heights of 142, 157 & 172cm allowing every age group to easily access. Robust & Lightweight easily movable by one person. Swivel casters wheels having smooth mobility

to move in any direction with two Locking wheels.

Size : 69 x 48 cm x 173 cm

45972



HOOP CART

Cart made of plastic poles with jointer. Idle for storing or transporting about 24 hoops ranging from 60 to 90 cm dia. Robust & Lightweight easily movable by one person. Swivel casters wheels having smooth mobility to move in any direction with two Locking wheels.

Size : 55 x 68 x 117 cm

45973



BALL CARRY BASKET CART

Cart made of plastic poles with jointer along with polyester bag to carry balls. Swivel casters wheels having smooth mobility to move in any direction with two Locking wheels.

Size: 100 x 70 x 100 cm

45971



RACKET CARRY CART

Cart made of plastic poles with jointer. Ideal for storing or transporting upto 35 Squash, Tennis or Badminton Racket of all types along with polyester bag for storing squash balls, tennis balls, shuttlecocks etc. Swivel casters wheels having smooth mobility to move in any direction with two Locking wheels.

Size: 109 x 48 x 109 cm

45967



FOAM BALL BEARING SKIPPING ROPES - LEATHER

Specially designed foam handles for extra comfort. Absorbs palm sweat, provide firm grip and reduce hands strain. Idle jump rope for daily practice which helps in learning. Improves body stamina. 6mm Natural Leather.

- 50656- 8** 2.43m
- 50656- 9** 2.74m
- 50656W** 2.74m Weighted Handle.



BEST SELLER

FOAM BALL BEARING SKIPPING ROPES VINYL

Specially designed foam handles for extra comfort. Absorbs palm sweat, provide firm grip and reduce hands strain. Solid 5mm polyvinyl ropes. Idle jump rope for daily practice which helps in learning. Improves body stamina.

- 50659- 8** 2.43m
- 50659- 9** 2.74m



FOAM BALL BEARING SKIPPING ROPES - PP

Specially designed foam handles for extra comfort. Absorbs palm sweat, provide firm grip and reduce hands strain. 7mm polypropylene rope. Idle jump rope for daily practice which helps in learning. Improves body stamina.

- 50652- 8** 2.43m
- 50652- 9** 2.74m
- 50652- 10** 3.05m



SPEED SKIPPING ROPES - ADJUSTABLE

BEST SELLER

Our high quality, smooth-turning speed skipping rope made of 5mm solid vinyl cord with free-spinning, easy grip low density handles. Durable & lightweight. 3 sizes to suit those under 5'3" up to 5ft 11" and over. Comes in Poly Bag.

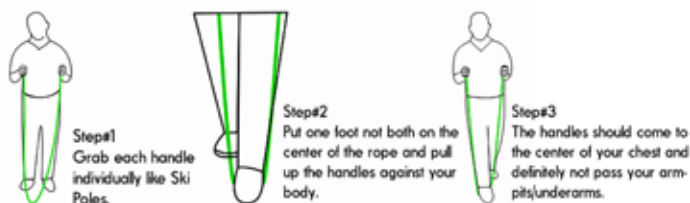
- 50619-8
- 50619-9
- 50619-10



GENERAL SIZING CHART

Height of Jumper	Length of Rope
4' to 4'9"	7ft
4'10" to 5'3"	8ft
5'4" to 5'11"	9ft
6' to 6'4"	10ft
6'5" +	11ft

HOW TO DETERMINE THE CORRECT LENGTH OF YOUR JUMP ROPE



BATTLING ROPE-PP

Robust PP 1.5-inch exercise rope for strength training—works hands, arms, shoulders, back, abs, core, and legs. 3-strand design made of durable polyester blend; high tensile strength prevents breaking, fraying, or coming loose. Can be used for pulling, climbing exercises. Rolls up for take-anywhere portability and compact storage.

- 50612-9 9m
- 50612-12 12m
- 50612-15 15m



BALANCE BOARD - ADJUSTABLE

NEW

Great way to improve your balance, increase core strength. Ideal for rehabilitation, particularly for recovering from ankle and lower leg injuries. Ideal for users of different abilities from beginners with some experience to advanced users. Offers angles between 19 and 23 degrees, more the angle, greater the difficulty. Dia : 40cm Weight: 1.25kg
Features -

- Adjust Difficulty Level : easier 19 degrees, harder 23 degrees
- Base : Anti-slip

50148



WOBBLE BALANCE BOARD

BEST SELLER

Improve balance and posture. Adjust the amount of air to increase or decrease the level of instability. One side with spikes for foot massage and sensory work. The other side is smooth with small anti-slip dots, to have comfort when used as a seat. Dia : 35cm H : 6.50cm

Features -

- Improves core strength
- Aids correct posture
- Helps reduce back pain

50150



Pump Also Available on Request

BEST SELLER

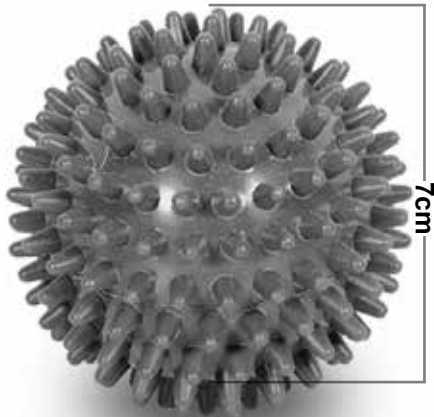
MASSAGE BALL

Perfect for self-massage helps to release muscle tension improving blood circulation. Lightweight balls in 3 different spike hardness. Ideal for use before or after exercise. Great for massaging your palms, feet, ankle, shank, arms, neck and back, and more.

- 50151 7cm Spikey
- 50152 9 cm Spikey
- 50153 6 cm Smooth



Smooth



Custom Color Available



Available in 3 Different Spike Hardness



BALANCE BOARD

Ideal for sports training and rehabilitation. Improves stability, flexibility & concentration. Robust plastic construction.

50149



EXERCISE DOTS

Non-slip backing dots printed with 10 different exercise activities on each dot. Can be used both indoor and outdoor.

50541 Set of 10

